



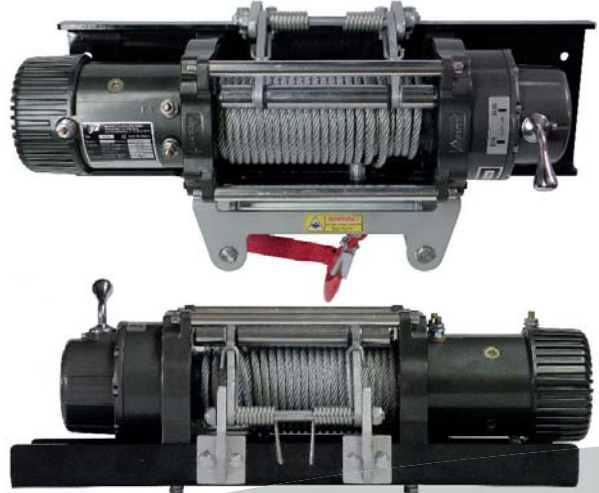
Electric winches 12V / 24V with planetary gears



- for pulling of loads and recovery of vehicles
- CE sign based on Machinery Directive 2006/42/EC
- Product meets European Standard EN 14492-1



Winch SH 32 (with options)



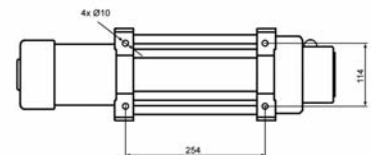
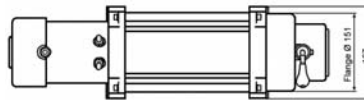
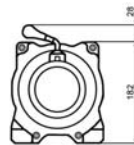
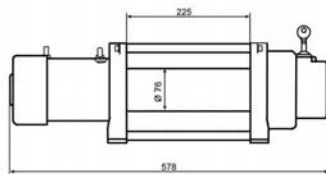
Winch SH 22 (with options)

	model	SH 22	SH 32
	rope Ø	8 mm	8 mm
	voltage	12 V / 24 V	12 V / 24 V
	weight without rope	29 kg	29 kg
rope layer 1	line pull	22,0 kN	32,0 kN
	rope length	7 m	7 m
rope layer 2	line pull	18,2 kN	26,5 kN
	rope length	15 m	15 m
rope layer 3	line pull	15,5 kN	22,5 kN
	rope length	23 m	23 m

1 kN equals approx. 100 kg / 220 lbs

Features:

- solid construction
- high performance series wound motor
- for connection to vehicle battery
- solenoid box for on-top or separate mounting
- emergency cut-off with solenoid
- fast planetary gearbox
- freespool clutch for manual reel-off
- load-holding cone brake
- roller guide
- steel wire rope with safety hook
- cable remote control
- overload switch protects men and machine



Accessories: mounting plates, synthetic rope Dyneema SK 75, aluminium hawse fairlead, wireless remote control, level winder, electric connection and battery cables, lengths per request



SCHMITZ & HEISLER

Distributor of Ramsey Winch Company

Schmitz & Heisler GmbH • Handwerkerstr. 7 • 46485 Wesel • Germany • www.schmitzheisler.de
phone: +49 (0)281-20651-0 • fax: +49 (0)281-20651-10 • e-mail: info@schmitzheisler.de

www.schmitzheisler.de