

ATV 8

- Rated line pull 8 kN (1,800 lb)
- Recommended wire rope of 5 mm 1960 grade
- Meets EN 14492-1
- Rocker switch or push button remote available
- Emergency stop switch
- Made in USA
- Wedge pocket rope anchor

Applications

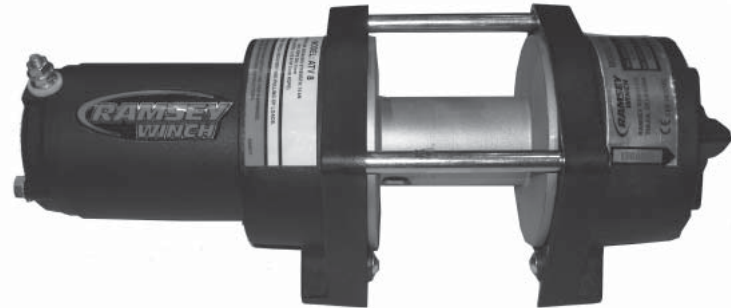
- Self recovery of vehicles and pulling of loads

Specifications

Rated Line Pull8 kN (1,800 lb)
Gear Reduction136:1
Weight (without rope)9,5 kg (21 lb)

Layer of Rope		1	2	3	4
Rated Line Pull Per Layer	kN (lb)	8 (1,800)	6,6 (1,400)	5,3 (1,200)	4,8 (1,100)
†ATV 8	m (ft)	1,5 (5)	4,5 (15)	6 (20)	10,6 (37)

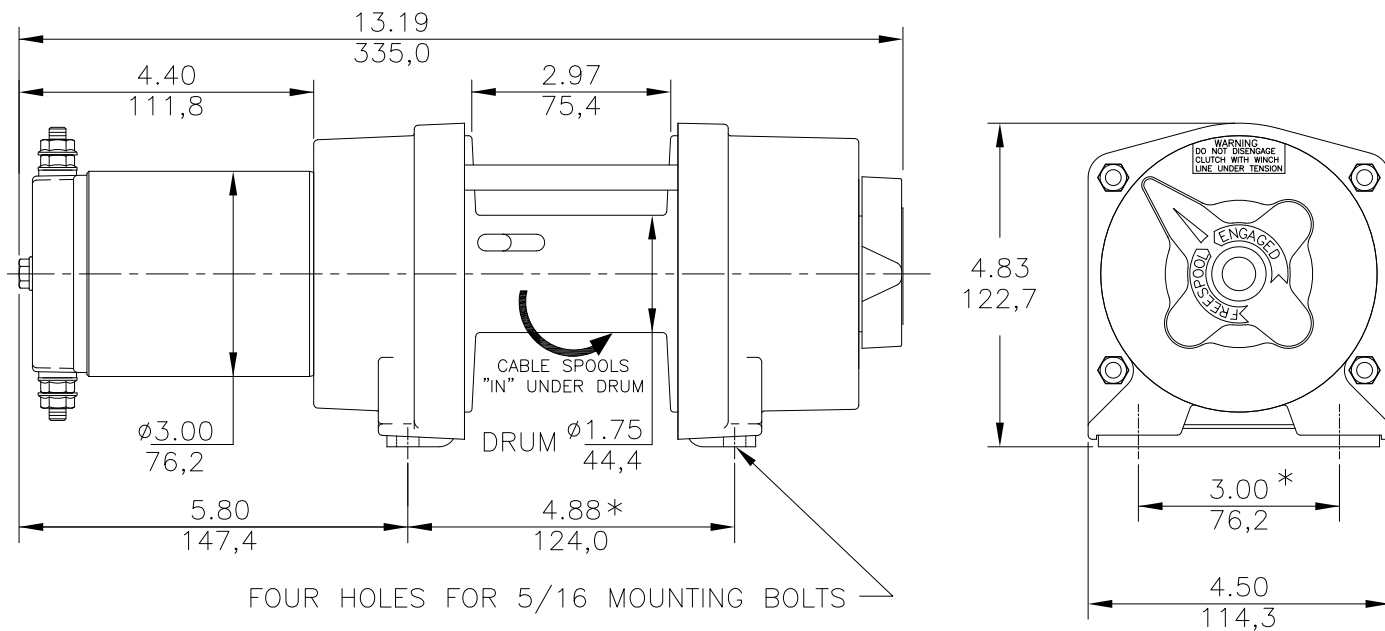
†Rope capacity per layer.



Specifications Continued

Line Pull First Layer	kN (lb)	No Load	2,6 (600)	5,3 (1,200)	8,0 (1,800)
*Line Speed 1st layer	MPM (FPM)	5,8 (19.1)	4,2 (13.8)	3,7 (12.2)	2,8 (9.2)
Amp Draw	12V	31	72	101	135

*These specifications are based on recommended wire rope of 5 mm (.196") 1960 grade wire rope.



- Dimensions shown are inches over millimeters.
- Winch mounting capscrews must meet or exceed SAE Grade 5 Specification
- Mounting bolt pattern: Four 8,6mm (0.34") holes in a 123,9mm ±0,4mm x 76,2mm ±0,4mm (4.88" ±.015" x 3.00" ±.015") rectangular pattern.

Ramsey Winch Company • 1600 N. Garnett Rd • Tulsa, OK 74116 • ramsey.com

